



DIGITUS® CAT 5e Keystone Module, unshielded



✓ Category 5e

✓ Unshielded

✓ 100 MHz

✓ RJ45 to LSA

Abstract

DIGITUS® CAT 5e Keystone Module, unshielded

Features

- CAT 5e Class D; for up to 100 MHz
- Cable installation via LSA, color coded acc. EIA/TIA 568 A&B
- RJ45 socket for patch panel mounting

Product Overview

The Item "DN-93501" from DIGITUS® is an unshielded CAT 5e Keystone Module, which provides best performance and link quality for your network. The cable installation takes place via LSA, color coded acc. EIA/TIA 568 A&B.

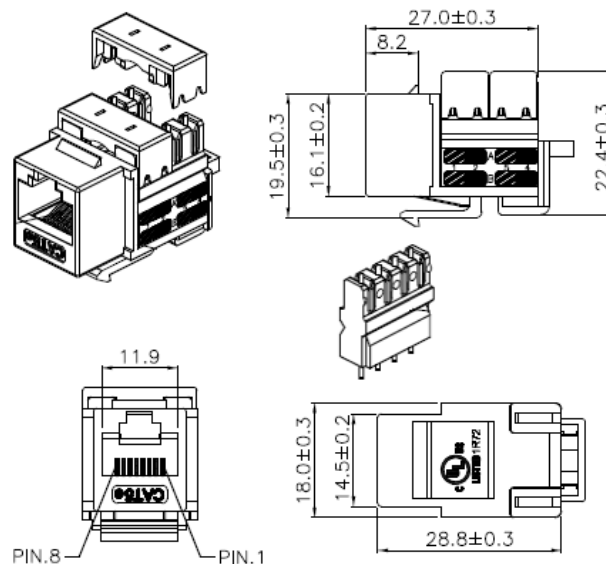
Product Number Information

DN-93501 DIGITUS® CAT 5e Keystone Module, unshielded, RJ45 to LSA, color white

Compatibility

- Suitable for DIGITUS® patch panels:
DN-91410, DN-91410-LF, DN-91411, DN-91411-LF, DN-91412, DN-91422, DN-91424 – 19" (483mm) DN-91419, DN-91420 – 10" (254mm)
- Suitable for DIGITUS® network wall outlets:
Design compatible modular wall outlet DN-93831, DN-93831-1
- Modular wall outlet DN-93801-1, DN-93811, DN-93821

Technical Drawings



Assmann Electronic GmbH, Auf dem Schüffel 3, 58513 Lüdenscheid, Germany, info@assmann.com, printing errors, falsities and technical changes remain reserved